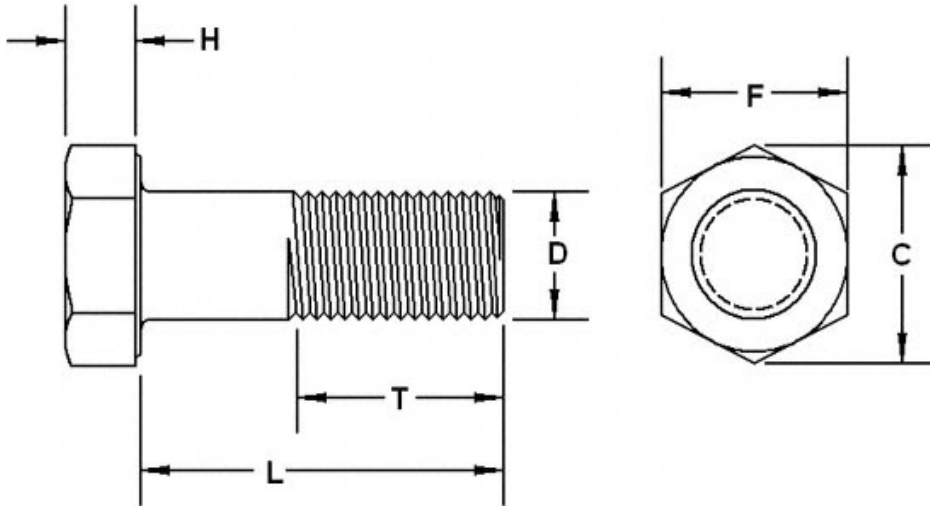




TRANSHOW INDUSTRY LIMITED

GAOYANG RD, ZHOUSHAN VILLAGE, JIANGSHAN TOWN
 YINZHOU DISTRICT, NINGBO CITY, 315100 CHINA
 Tel: +86-574-8736.7873 Fax: +86-574-8736.4349
www.transhow.net Email: transhow@transhow.net

ANSI B18.2.1-1996 HEX BOLT



Bolt Dia	D	F			C		H		
	Body Dia	Wide Across Flat			Wide Across Corners		Height		
	Max	Basic	Max	Min	Max	Min	Basic	Max	Min
3/8	0.388	9/16	0.562	0.544	0.650	0.620	1/4	0.268	0.226
1/2	0.515	3/4	0.750	0.725	0.866	0.826	11/32	0.364	0.302
5/8	0.642	15/16	0.938	0.906	1.083	1.033	27/64	0.444	0.378
3/4	0.768	1-1/8	1.125	1.088	1.299	1.240	1/2	0.524	0.455
7/8	0.895	1-5/16	1.312	1.269	1.516	1.447	37/64	0.604	0.531
1	1.022	1-1/2	1.500	1.450	1.732	1.653	43/64	0.700	0.591
1-1/8	1.149	1-11/16	1.688	1.631	1.949	1.859	3/4	0.780	0.658
1-1/4	1.277	1-7/8	1.875	1.812	2.165	2.066	27/32	0.876	0.749
1-3/8	1.404	2-1/16	2.062	1.994	2.382	2.273	29/32	0.940	0.810
1-1/2	1.531	2-1/4	2.250	2.175	2.598	2.480	1	1.036	0.902
1-3/4	1.785	2-5/8	2.625	2.538	3.031	2.893	1-5/32	1.196	1.054
2	2.039	3	3.000	2.900	3.464	3.306	1-11/32	1.388	1.175
2-1/4	2.305	3-3/8	3.375	3.262	3.897	3.719	1-1/2	1.548	1.327
2-1/2	2.559	3-3/4	3.750	3.625	4.330	4.133	1-21/32	1.708	1.479

All dimensions are in inch